

V-CORE

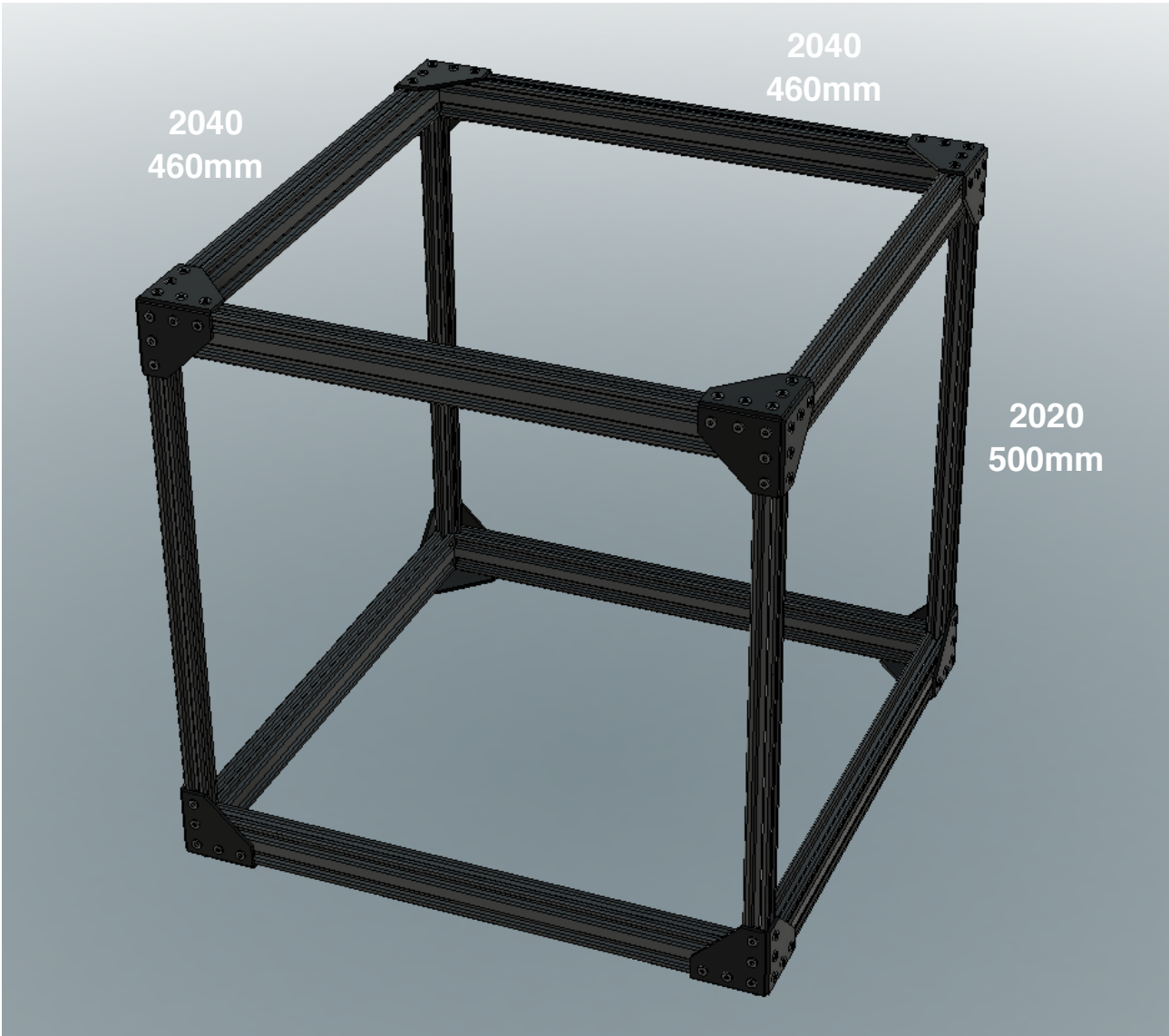
BUILD GUIDE

© Rat Rig 2018. All rights reserved.
V-Core Design by Teemu Mäntykallio

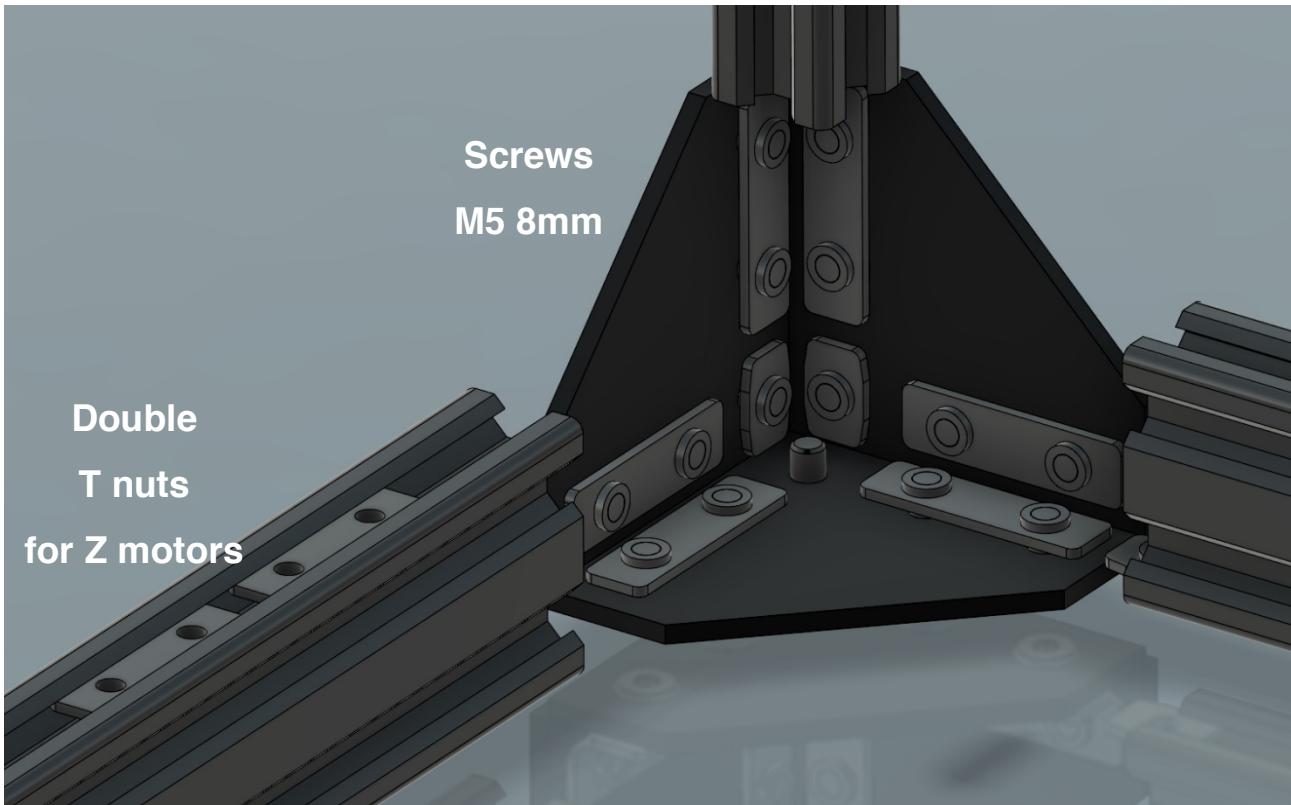
INDEX

Frame extrusion lengths	2
Frame corners	3
Z rails.....	4
XY motor and plates	5
XY belt idler stack.....	6
XY idlers	7
Z frame overview	8
Z frame plates and wheels	9
Z frame front corners	10
Z motors and lead screws	11
Anti backlash nuts.....	12
X frame	13
Openbuilds wheels and idlers	14
X idler wheel stacks	15
X rail wheels and plates	16
X carriage	18
Extruder body	20
Extruder assembly.....	21

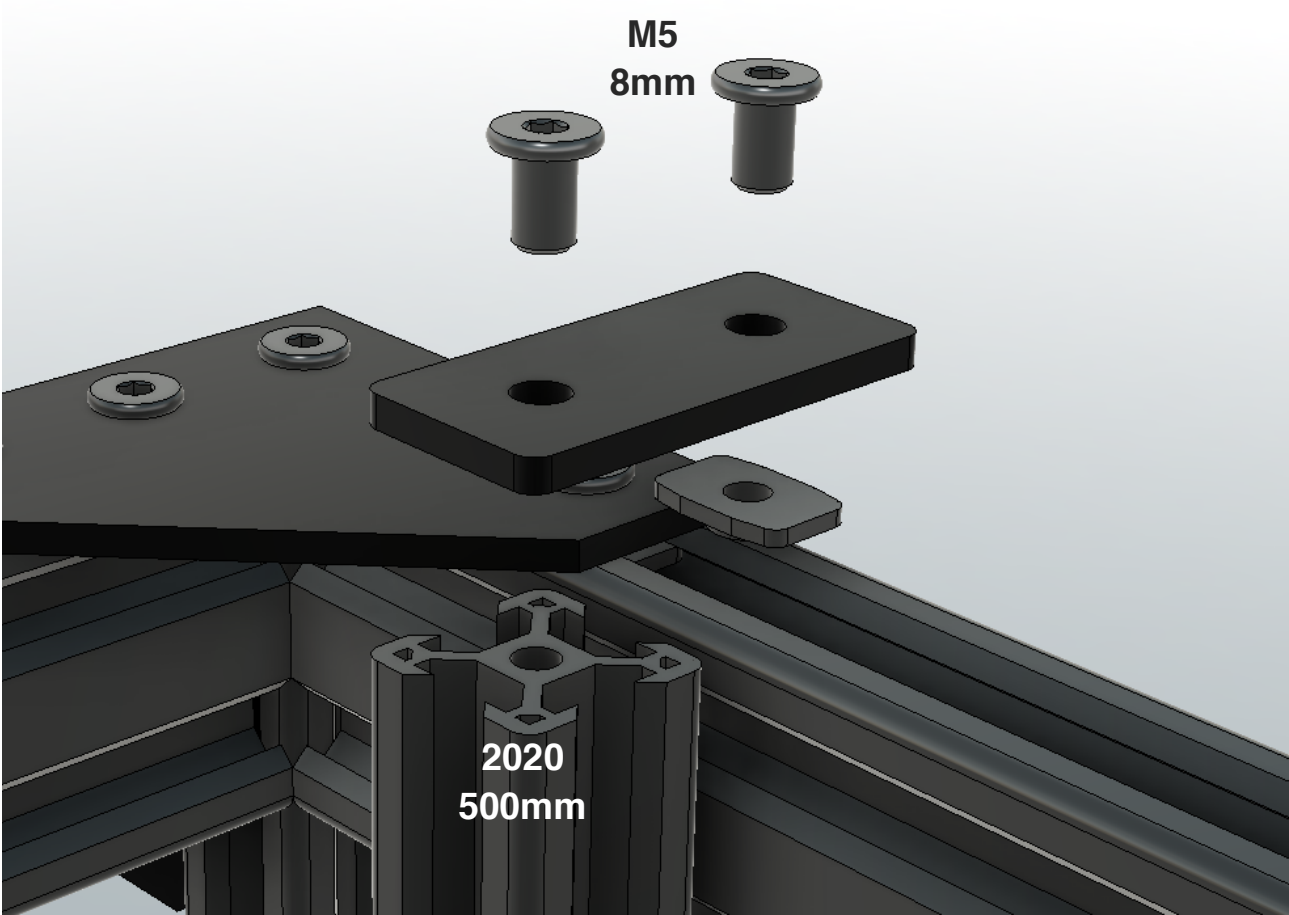
FRAME EXTRUSION LENGTHS



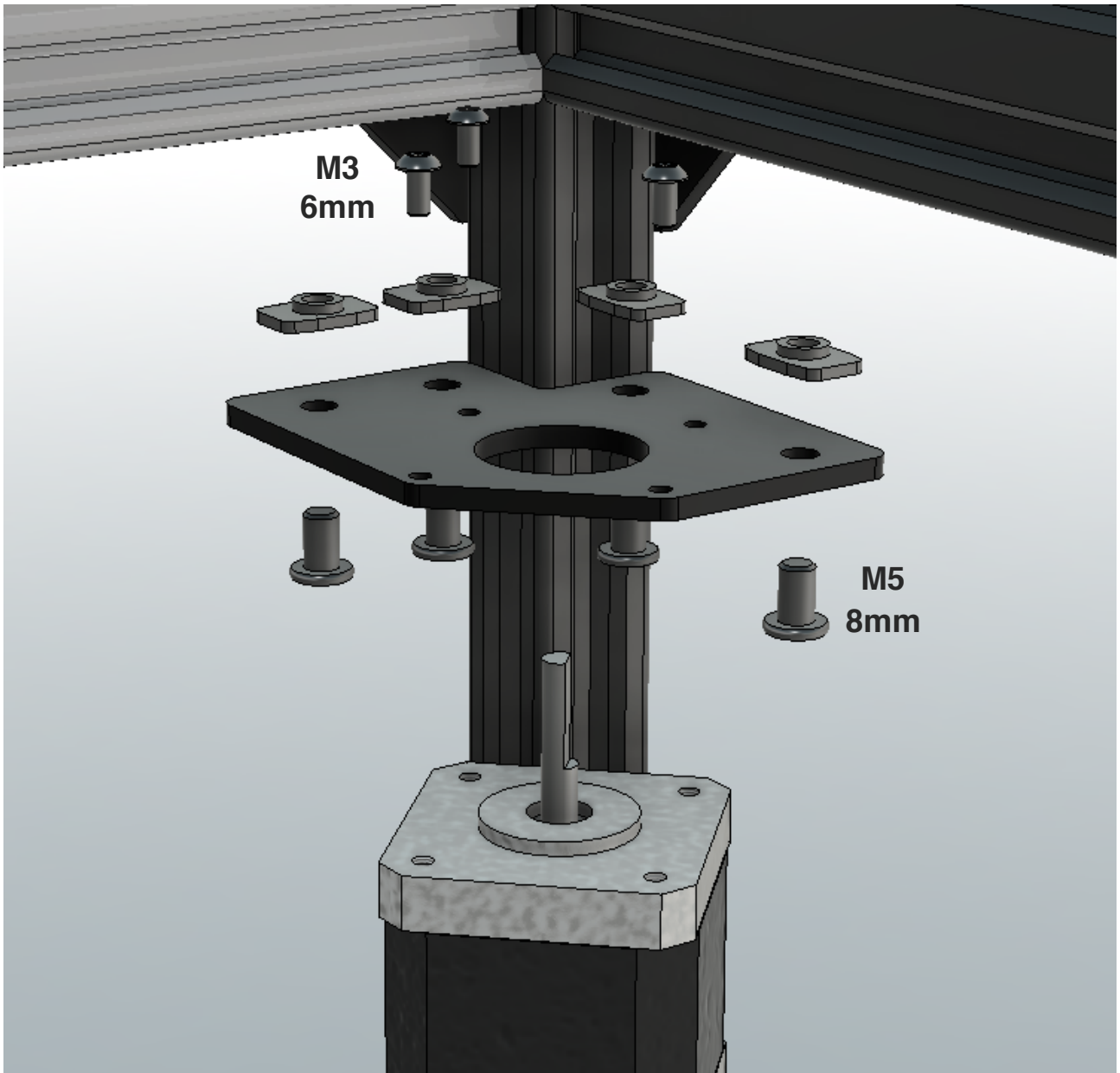
FRAME CORNERS



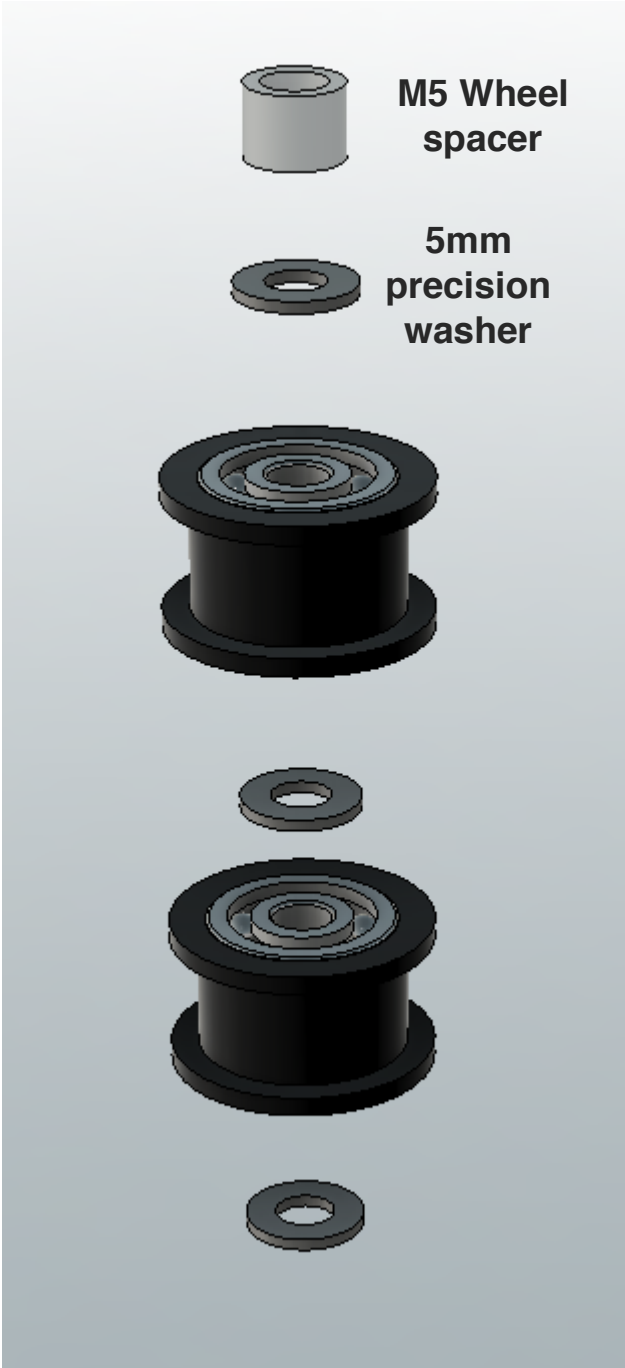
Z RAILS



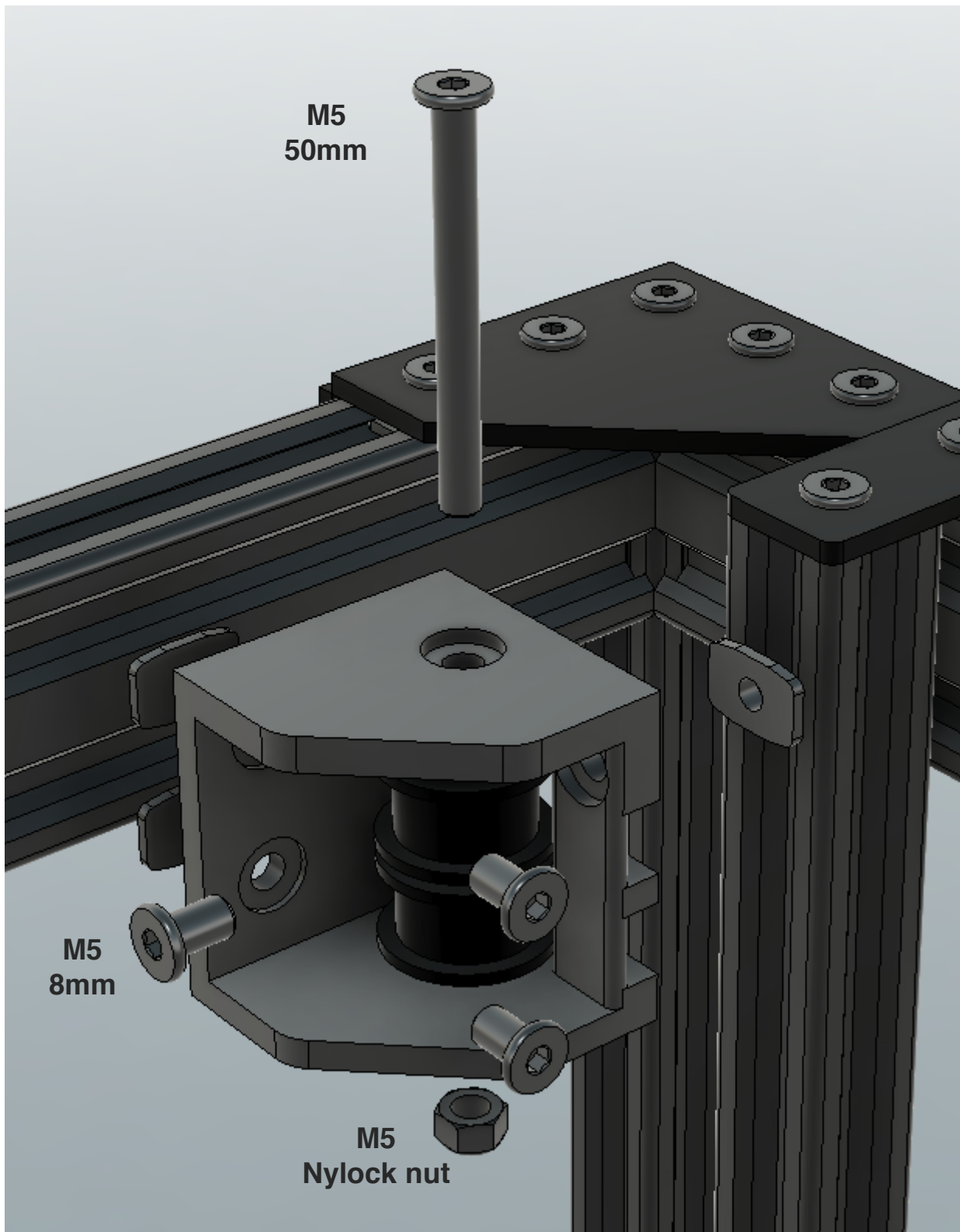
XY MOTOR AND PLATES



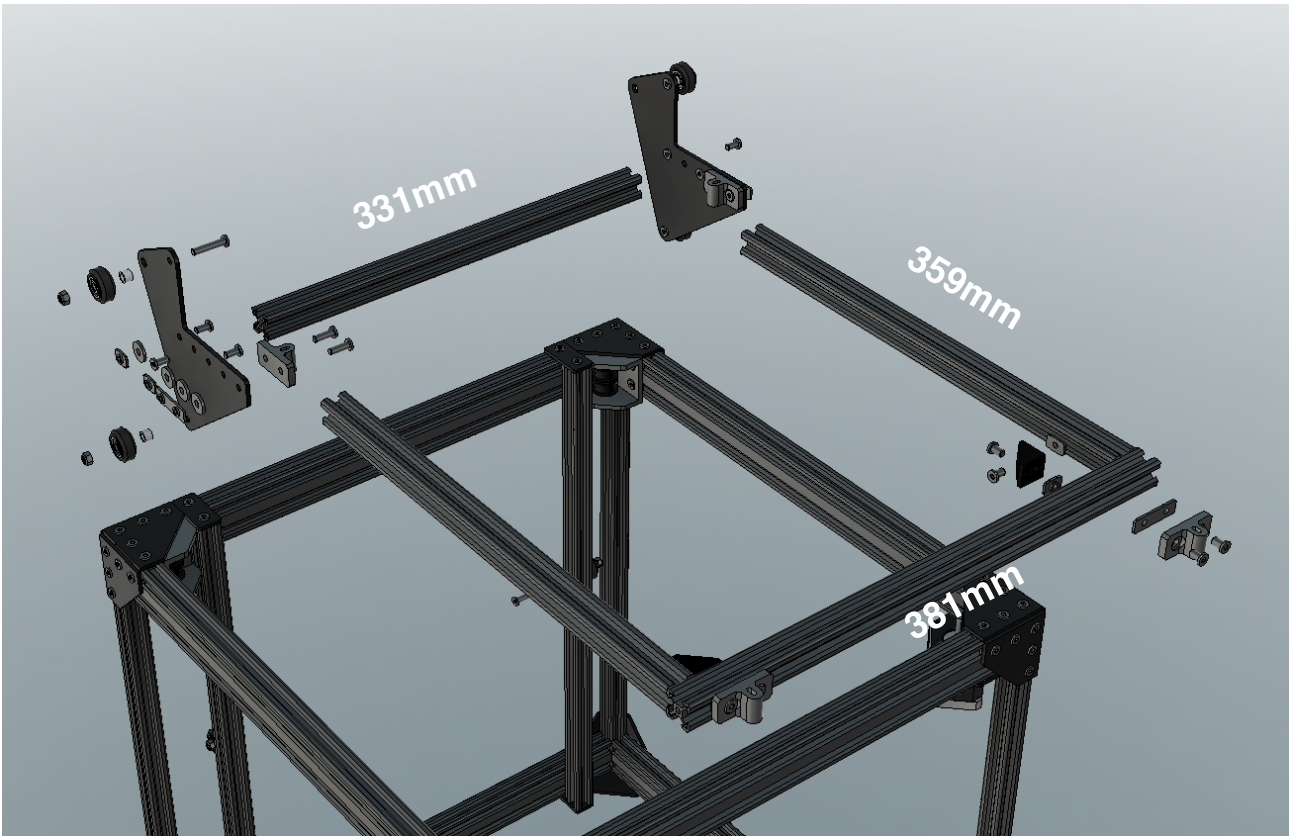
XY BELT IDLER STACK



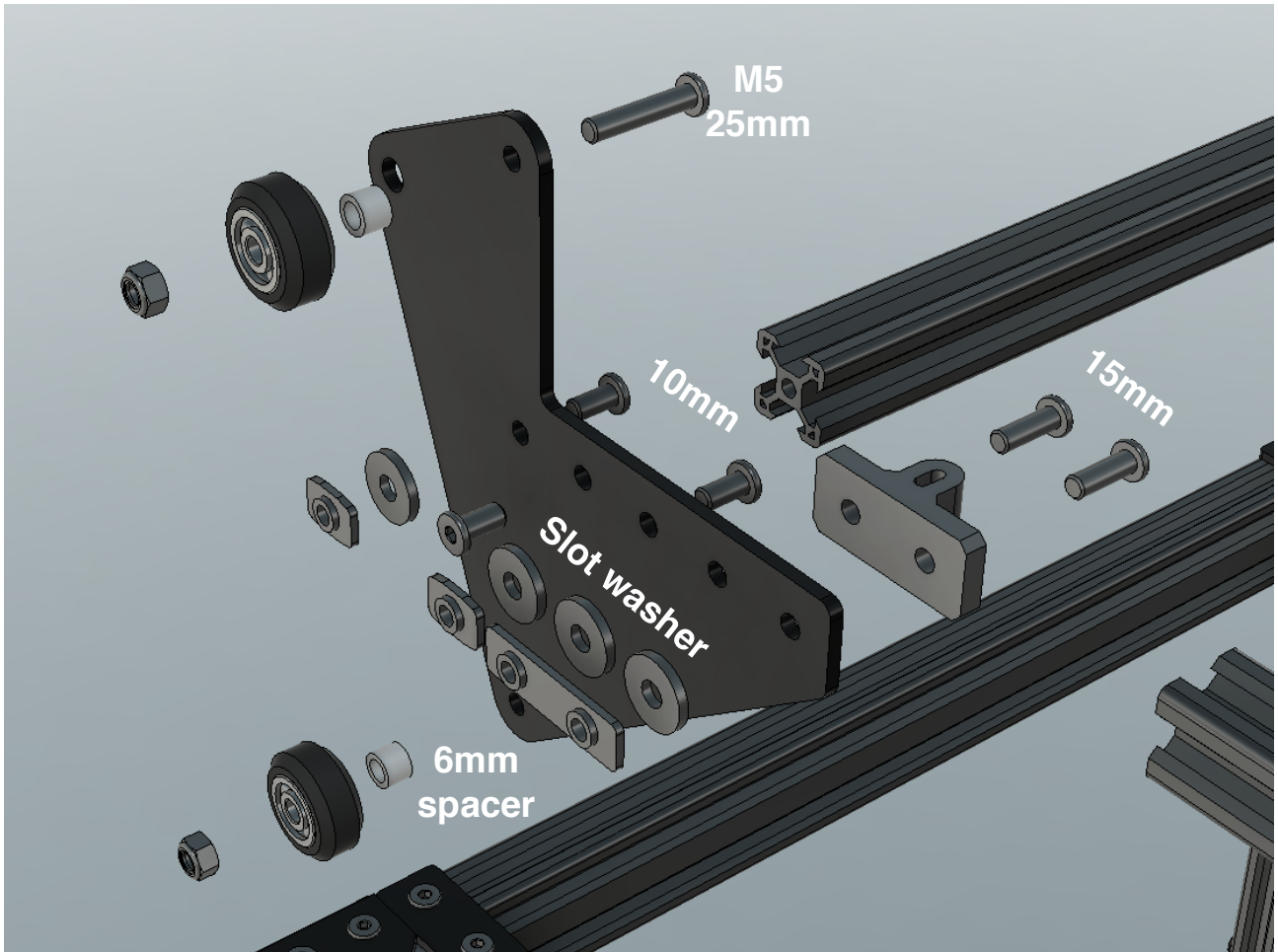
XY IDLERS



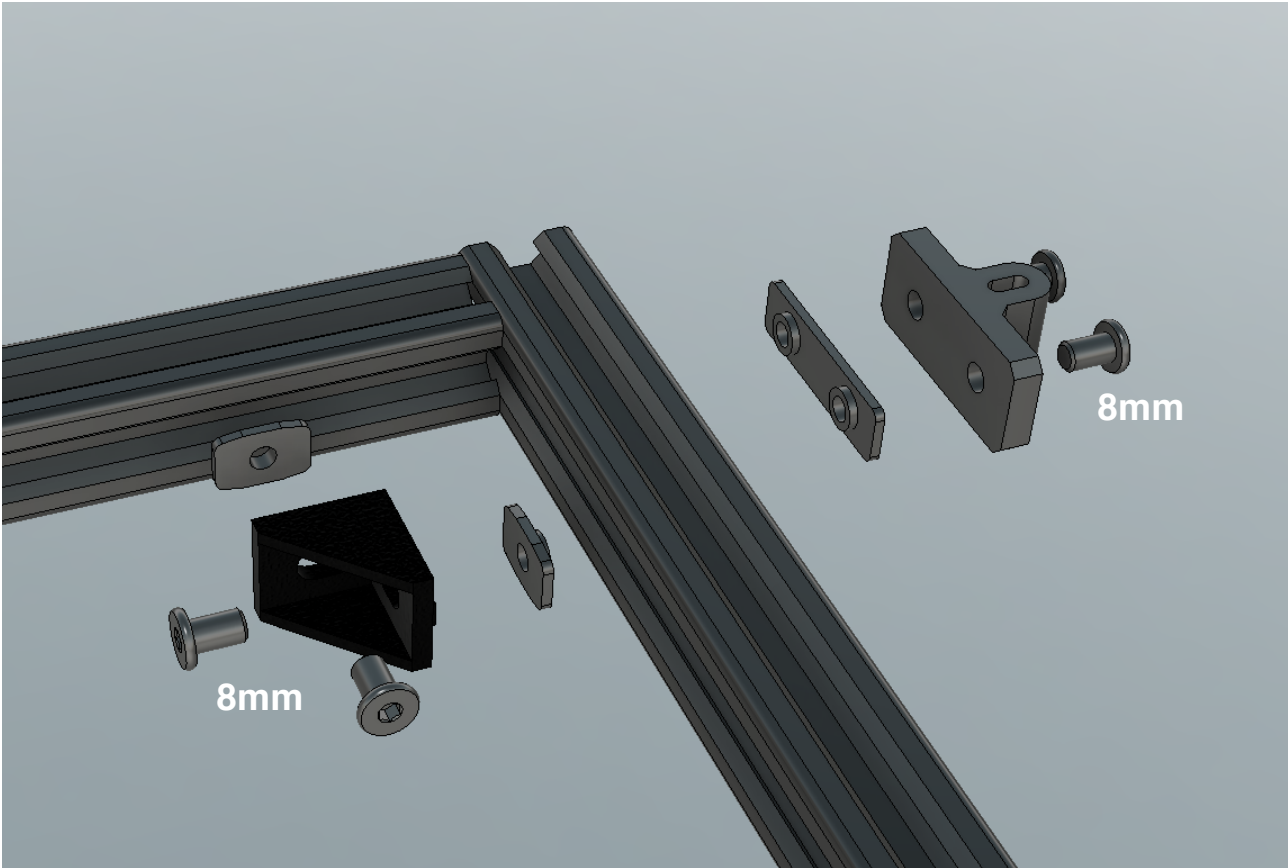
Z FRAME OVERVIEW



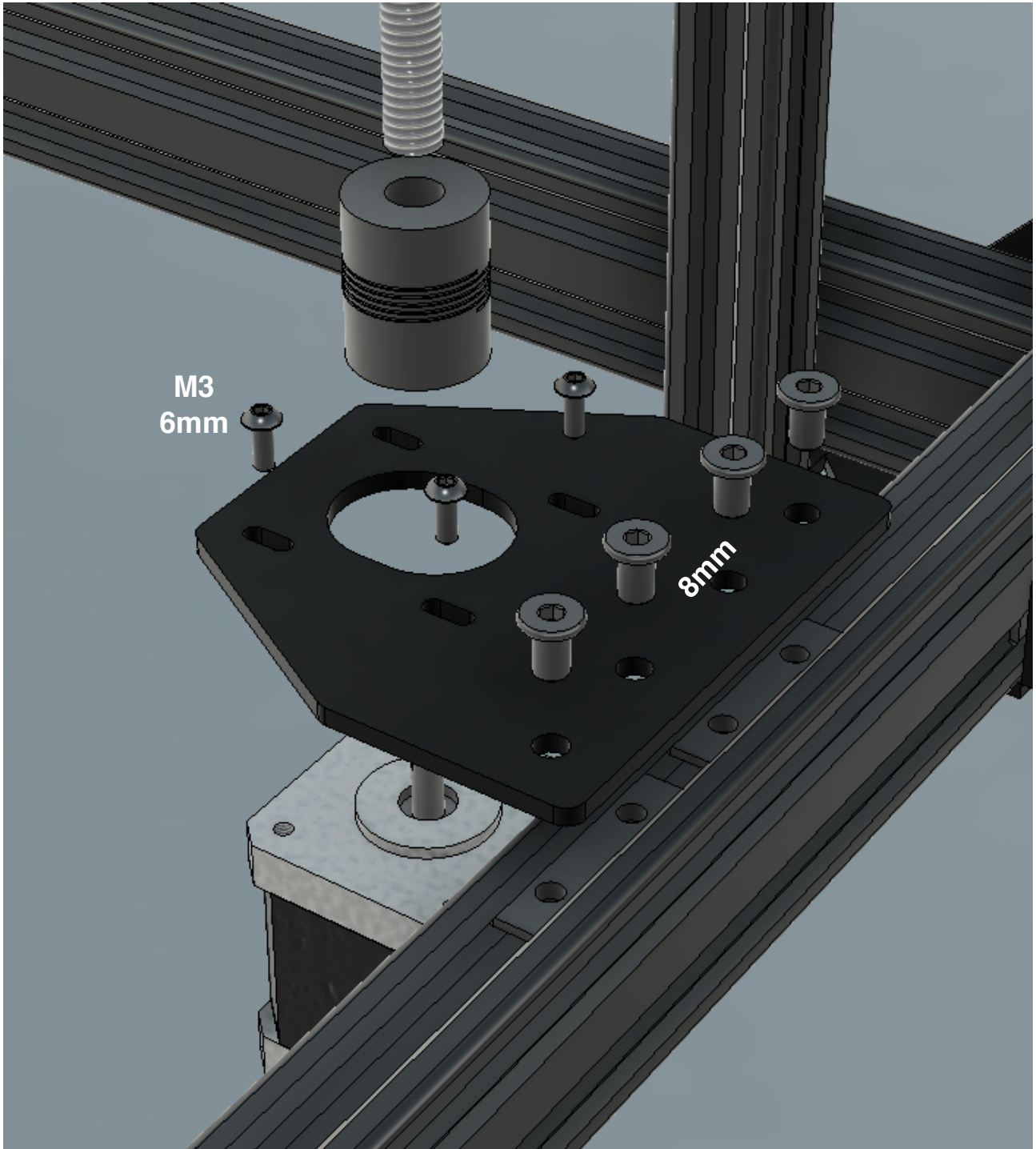
Z FRAME PLATES AND WHEELS



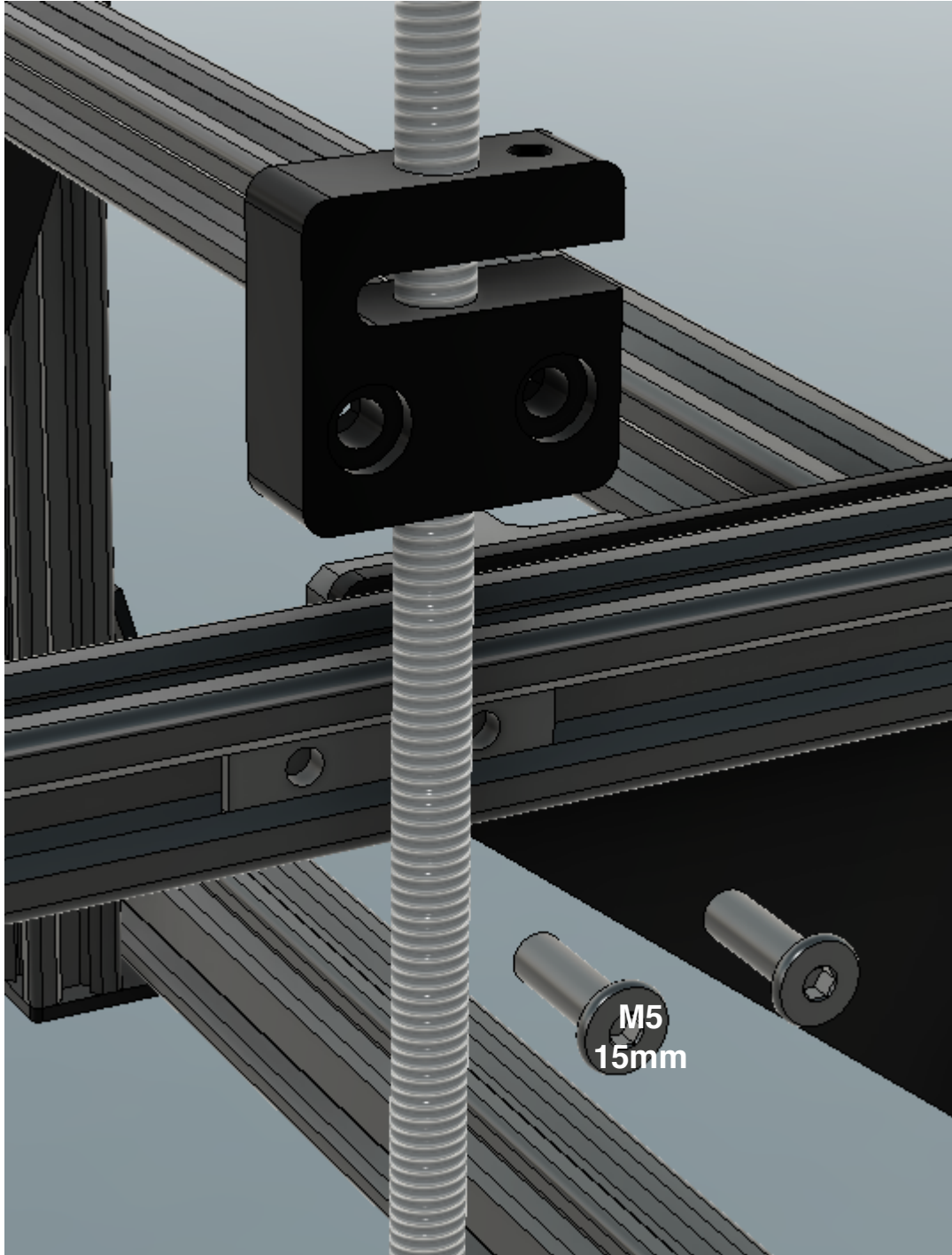
Z FRAME FRONT CORNERS



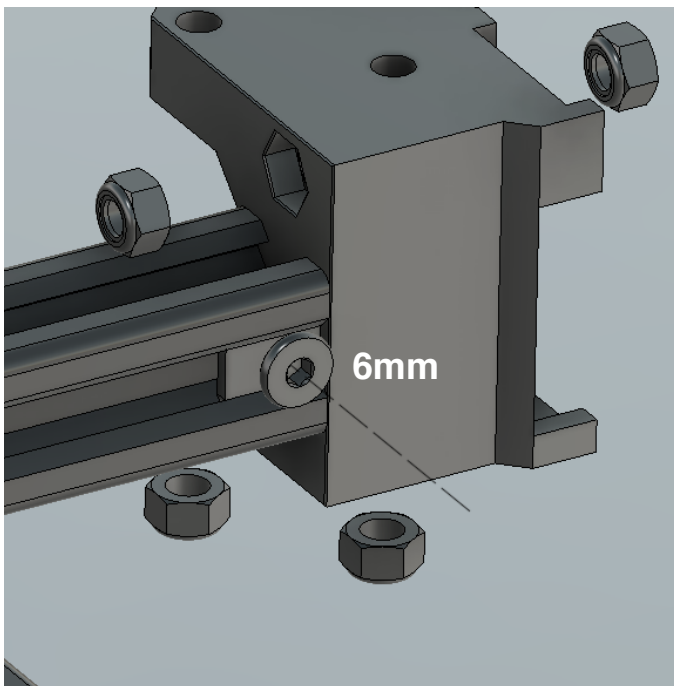
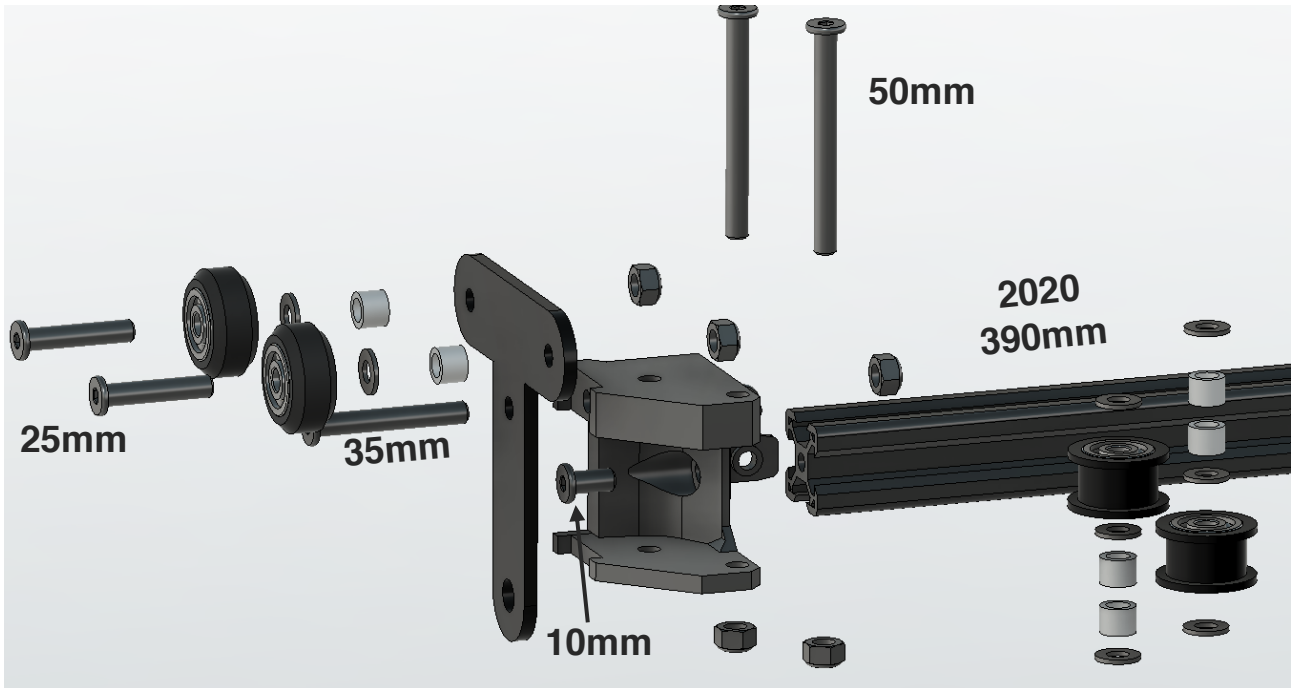
Z MOTORS AND LEAD SCREWS



ANTI BACKLASH NUTS



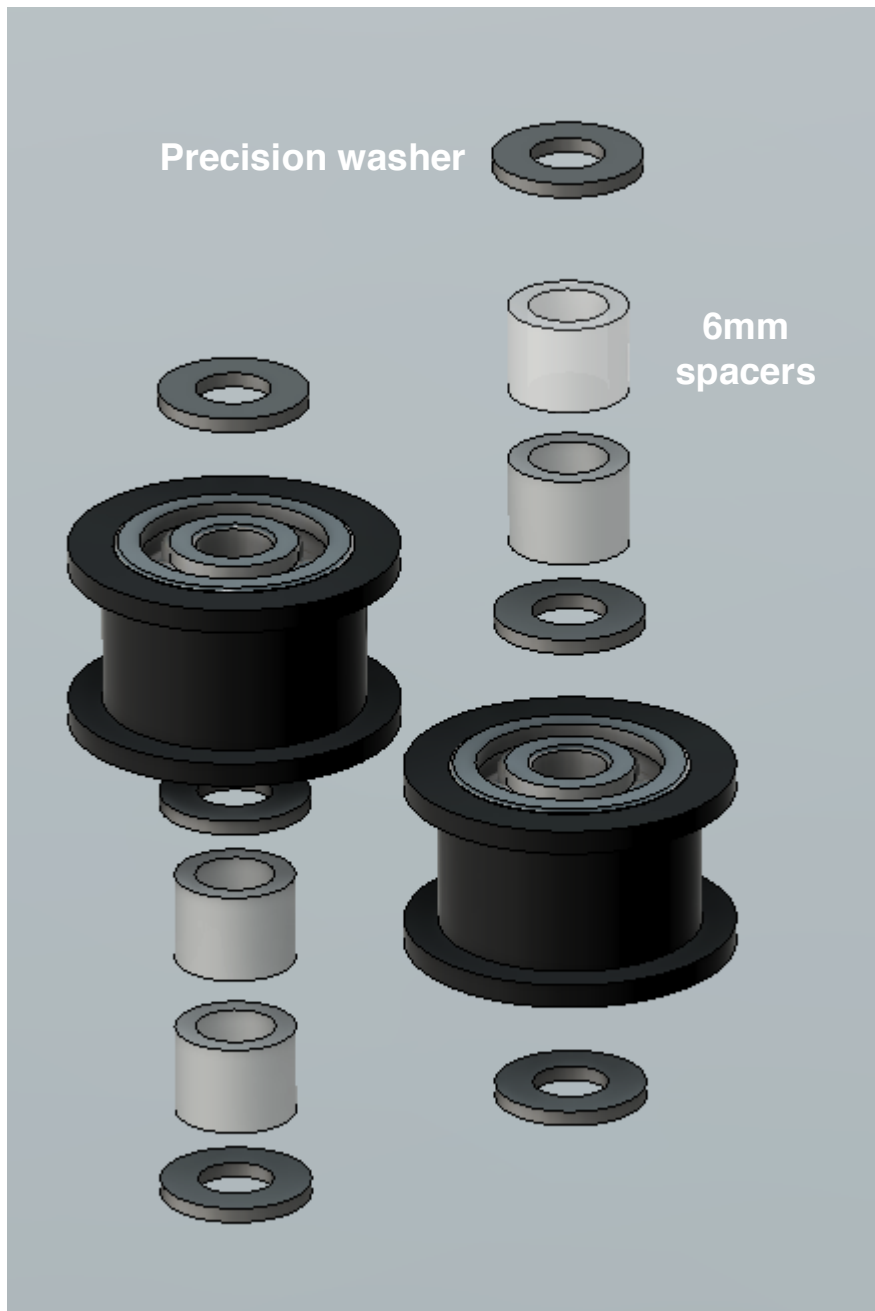
X FRAME



OPENBUILDS WHEELS AND IDLERS

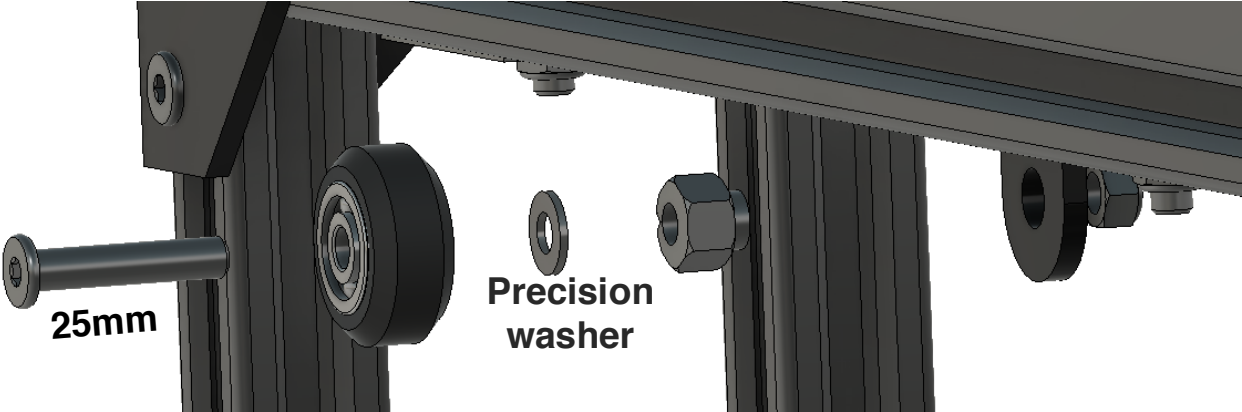


X IDLER WHEEL STACKS

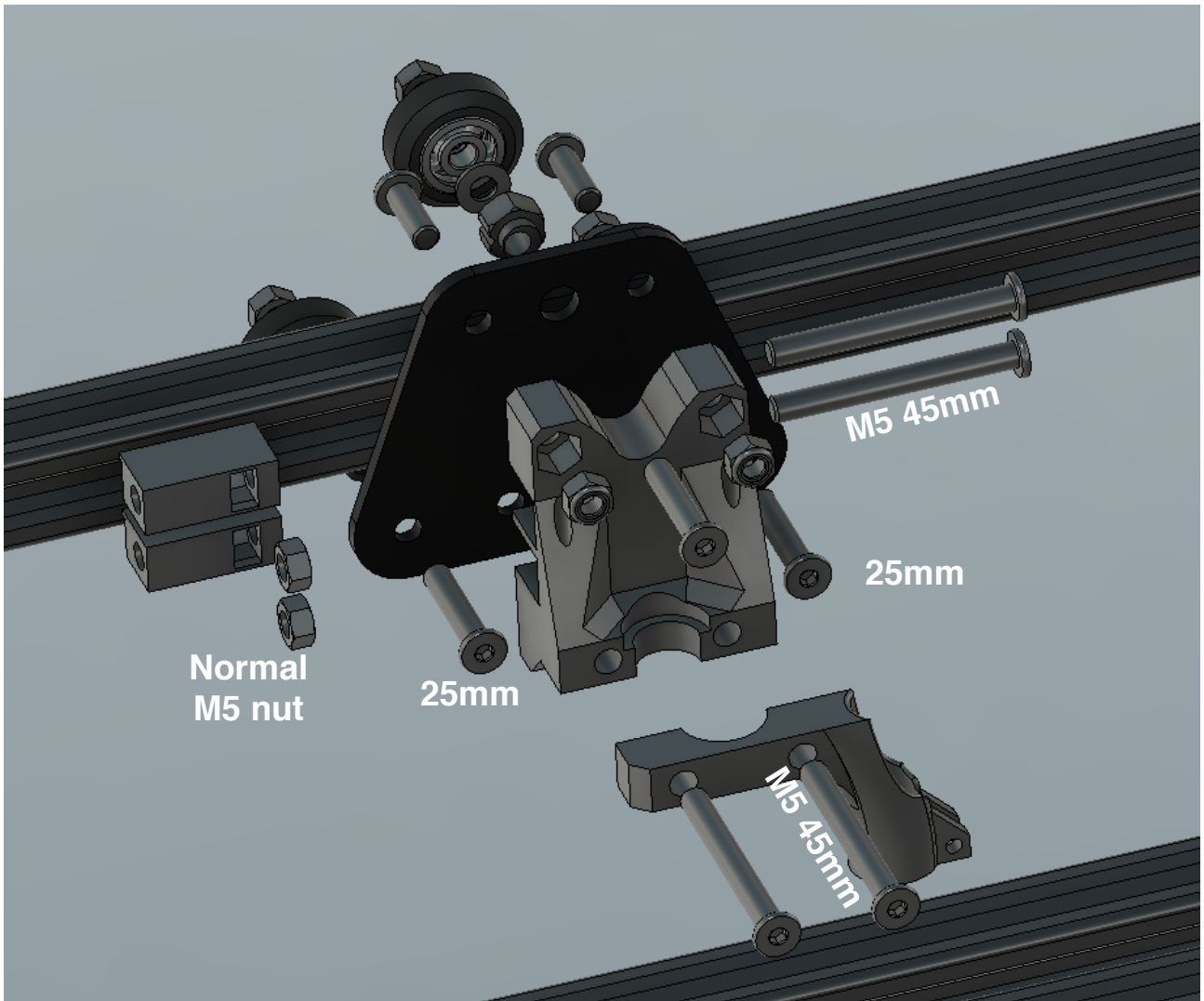


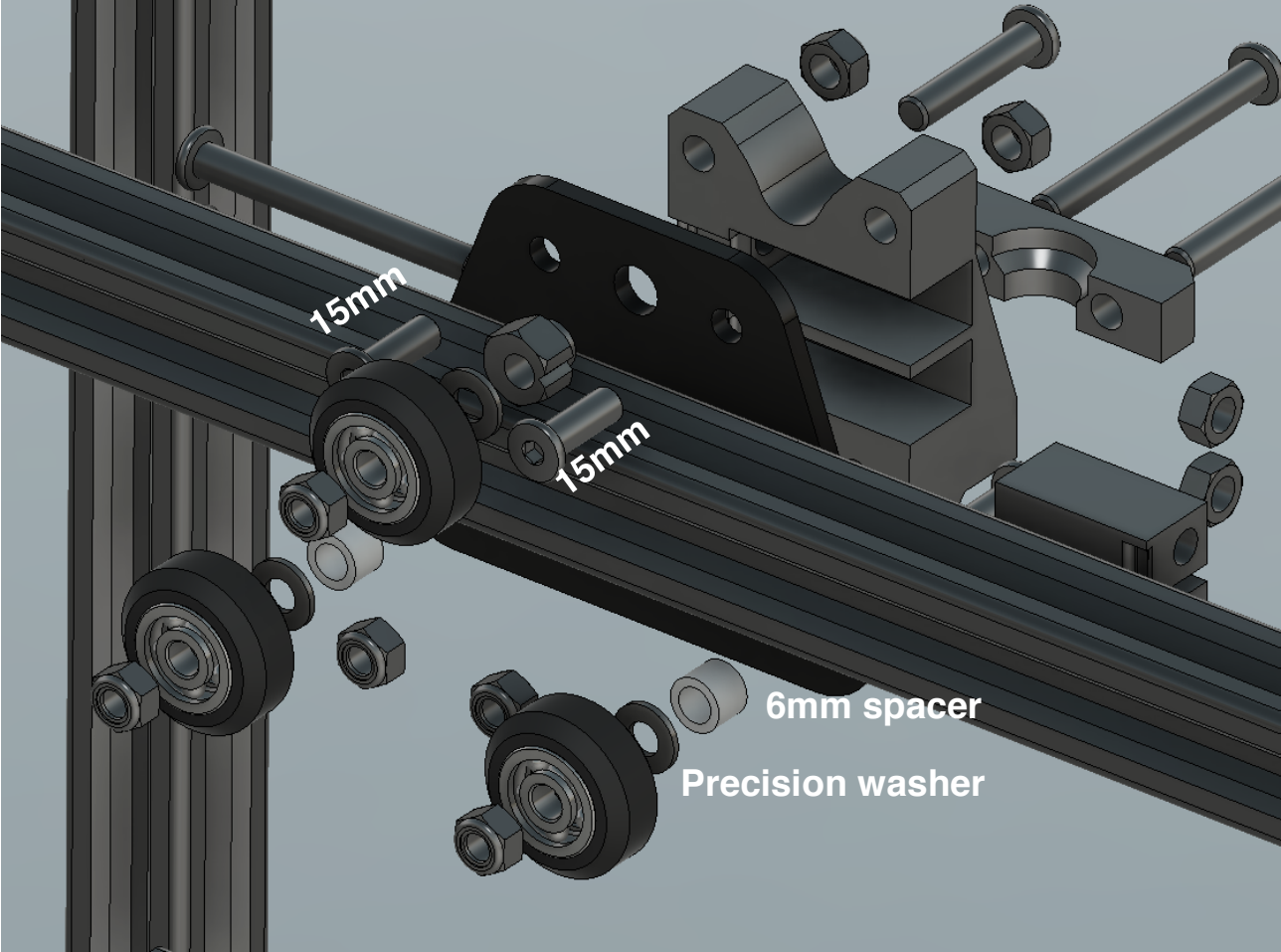
X RAIL WHEELS AND PLATES



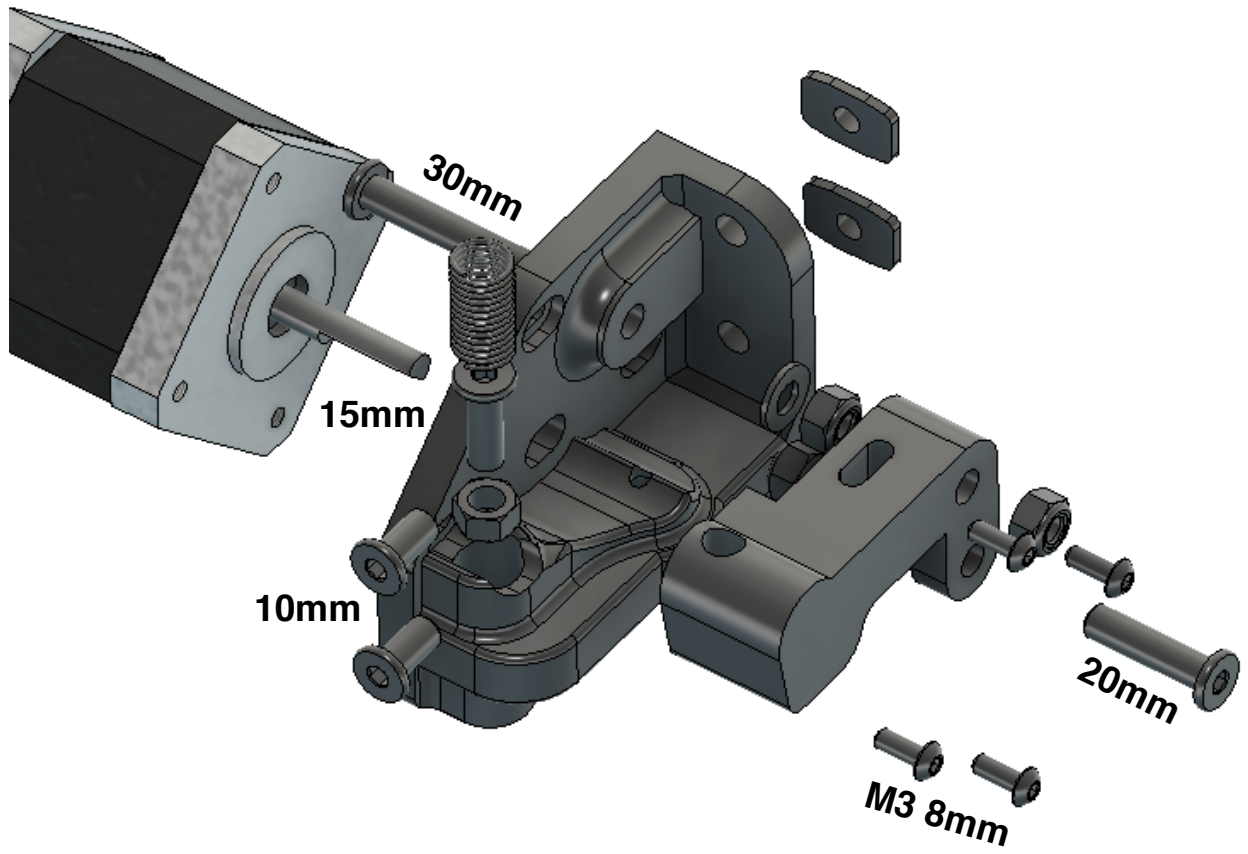


X CARRIAGE

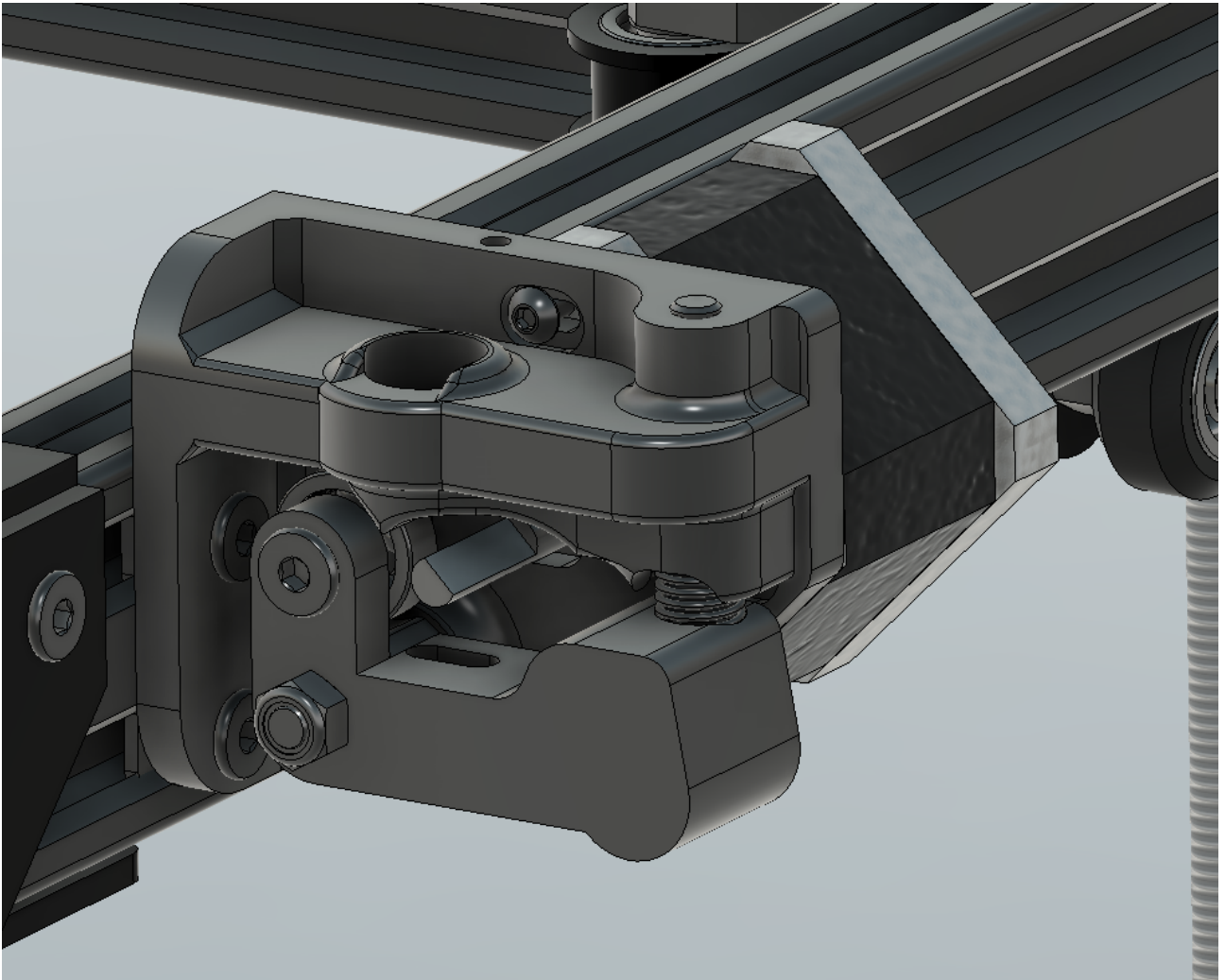


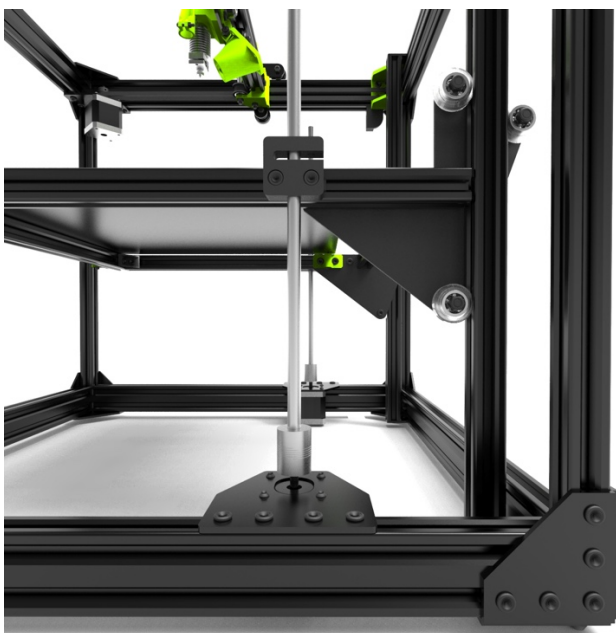
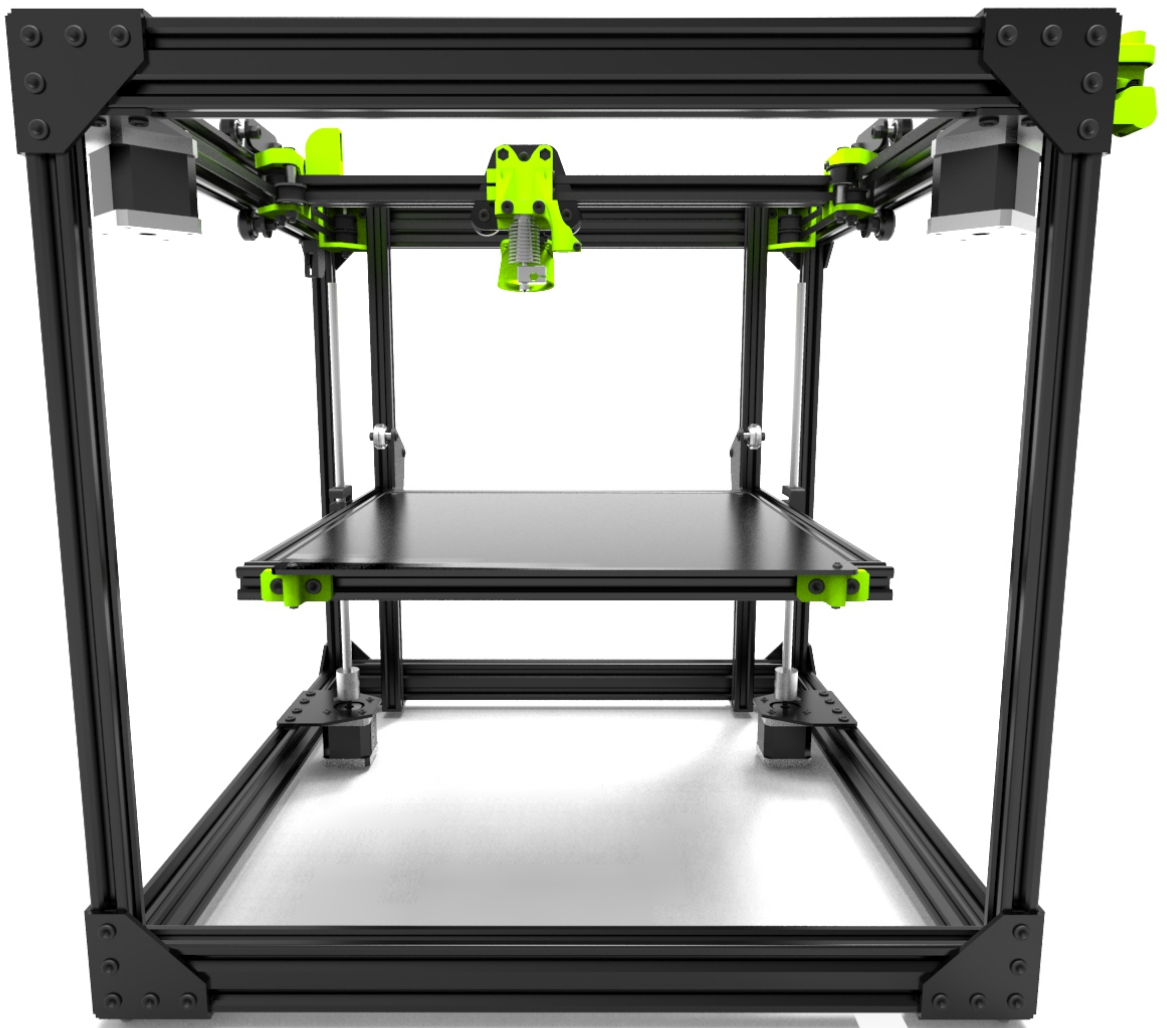


EXTRUDER BODY



EXTRUDER ASSEMBLY







V-CORE

© Rat Rig 2018. All rights reserved.
V-Core Design by Teemu Mäntykallio